



MOTION TECHNOLOGY
ELECTRIC & MACHINERY CO.,LTD

Brushless DC Motors and Drives
CATALOG

Enjoy Your Motion



Quality Efficiency Service
技術創新、追求卓越



專業直流有刷及無刷馬達製造，各式傳動系統設計及製造
以最快效率服務，達顧客最高滿意

公司簡介

追求『品質、服務、效率』的碩陽電機

碩陽電機為專業直流馬達製造廠，專業從事於精密馬達、醫療用馬達等傳動系統設計及製造。行銷全球超過40個國家，並建立歐、美、澳、瑞、韓、印度等行銷據點，目前產品有直流有刷馬達、直流無刷馬達、電動腳踏車專用馬達、伺服馬達、驅動控制系統、磁阻馬達等節能高效率馬達。

為紮根台灣馬達製造技術，碩陽電機多年來致力於產品技術之提升、品質穩定之改善，故著手於各項傳動系統之設計與整合，也涉足齒輪及驅動器之研究開發領域，延攬高科技人才投入；經過長久之測試及運用，已深獲國際客戶之肯定，並與國外大廠合作OEM、ODM，以建立符合國際化需求之產品。

一向『以最快服務效率，達最高客戶滿意』為最高目標理念，碩陽電機也以最佳夥伴之方式，提供客戶最佳之產品及服務，讓客戶產品具競爭優勢。所以致力於各項專利及認證，如ISO-9001、ISO-14001、CE、REACH、RoHS、UL等，以達客戶最高之滿意度。

碩陽電機在產品技術、服務效率、穩定品質上不遺餘力，講究『Total Solution』之系統發展，並且不斷地朝業界先鋒之使命努力。創新、研究發展以達客戶需求並增加客戶產品之競爭力之前提下，提供客戶『Total Solution』，所以想當然爾碩陽電機必然是您公司之最佳合作夥伴。

總經理
林明昌

Company profile

Motion Technology Electric & Machinery Co., Ltd. pursuit of "quality, service, efficiency"

Motion Technology Electric & Machinery Co., Ltd. is a professional DC motor manufacturer, specializing in precision motors, such as medical motor transmission system design and manufacture. The company's product is marketed around the world in more than 40 countries, and it boasts a vast network of offices in locations around the world including Europe, America, Australia, Sweden, South Korea, India, and other products DC brush motors, brushless DC motor for electric bicycle motor, servo motor transmission control system, reluctance motor and other energy-saving high-efficiency motors.

Rooted motor manufacturing technology in Taiwan, Motion Technology Electric & Machinery Co., Ltd over the years to enhance product technology, stable quality improvement, it is working on the design and integration of the transmission system, also involved in the field of research and development of gear and driver to recruit high-tech talent investment; After testing and the use of a long-term, has been well received by the affirmation of international customers, and OEM, ODM cooperation with foreign customers to create products that meet the needs of international.

Motion Technology Electric & Machinery Co., Ltd has always been "the fastest service efficiency, reaching the highest customer satisfaction" as the highest goal of philosophy is the best partner to provide customers with the best products and services allow customers to products with a competitive advantage. Commitment to the patent certification, such as ISO-9001, ISO-14001, CE, REACH, RoHS, UL, etc., in order to achieve the highest customer satisfaction.

Motion Technology Electric & Machinery Co., Ltd spares no effort to pay attention to the "Total Solution" system development, product technology, service efficiency, stability, quality and continuous efforts toward an industry leader in the mission. Innovation, research and development in order to achieve the customers' needs and to increase the competitiveness of the clients products under the premise of providing clients the "Total Solution" Motion Technology Electric & Machinery Co., Ltd assumes it must be the best partner for your company.

2013

Certificates



Patents



目錄 Index

05 – 品名說明

馬達之規格與曲線特性

06 – specifications of Motor & Motor characteristic Curve
尺寸圖

07 – Outline Dimensiona drawing

BL42 series

馬達之規格與曲線特性

08 – specifications of Motor & Motor characteristic Curve
尺寸圖

09 – Outline Dimensiona drawing

減速機規格尺寸表

10 – GearBox (2GB)

11 – GearBox (2GU)

BL60 series

馬達之規格與特性

12 – specifications of Motor
馬達動力曲線圖

13 – Motor characteristic Curve
尺寸圖

14 – Outline Dimensional drawing
減速機規格尺寸表

15 – GearBox (5GB)

16 – GearBox (5GU)

BL90 series

馬達之規格與特性圖

17 – specifications of Motor & Motor characteristic Curve
尺寸圖

18 – Outline Dimensional drawing

BL104 series

馬達之規格與特性圖

19 – specifications of Motor & Motor characteristic Curve
尺寸圖

20 – Outline Dimensional drawing

BL130 series

馬達之規格與特性圖

21 – specifications of Motor & Motor characteristic Curve
尺寸圖

22 – Outline Dimensional drawing

BL180 series

DC驅動器 The Function of Driver

23 – A04-AC Driver (中文)

24 – A04-AC Driver (英文)

25 – A09-DC Driver (中文)

26 – A09-DC Driver (英文)

27 – B06-AC Driver (中文)

28 – B06-AC Driver (英文)

29 – V16-DC Driver (中文)

30 – V16-DC Driver (英文)

AC/DC Driver



BL 60 L 24 D T R 30 120

Brush
Less

框徑
FRAME SIZE
42mm /60mm /90mm
104mm/130mm/180mm

桶身長度
LENGTH
S : Small M : Medium L : Large

額定電壓
RATED VOLTAGE
12V /24V /48V 90V
BO : 110V/ MO : 220V

額定功率
RATED POWER
040 : 40W
080 : 80W
120 : 120W

額定轉速
RATED SPEED
20 : 2000rpm
30 : 3000rpm
40 : 4000rpm

特徵碼
CHARACTERISTIC CODE
R : 正轉 (CW) / L : 反轉 (CCW)
E : 譯碼器 (Encoder) / B : 煞車 (EMB)
A : 譯碼器 (Encoder) + 煞車 (EMB)

馬達極數
Pole
4 : 4極 / 8 : 8極
T : 10極

軸心形式
SHAFT TYPE
D : D軸 (D CUT SHAFT) G : 蝸齒軸 (GEAR SHAFT)
R : 圓軸 (ROUND SHAFT) K : 鍵槽軸 (KEYWAY SHAFT)



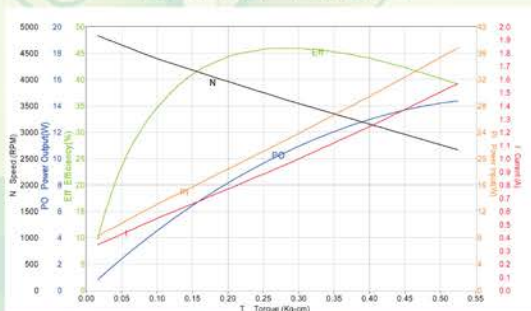
42 Brush Less 馬達之規格與特性曲線

BL42 series Specification of Motor

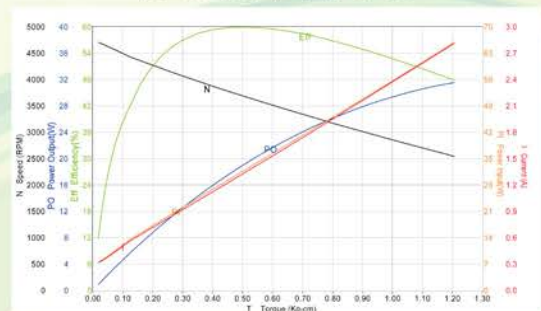
馬達型號 Motor Model		
額定電壓 (Rated Voltage)	24VDC	24VDC
額定功率 (Rated Power)	15W	30W
額定轉矩 (Rated Torque)	0.5 kg-cm	1.0 kg-cm
額定電流 (Rated Current)	1.6A	2.0A
額定轉速 (Rated Speed)	3000rpm	
槽極數配合 (Slot-Pole)	4極6槽 (4P6S)	
防護等級 (Degree of Protection)	IP54	


馬達動力曲線圖 Motor Characteristic Curve

BL42S / 24VDC

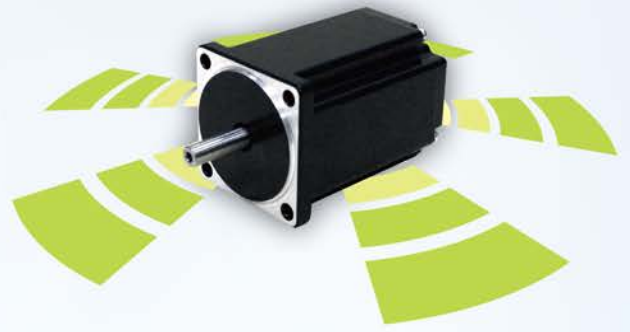


BL42M / 24VDC



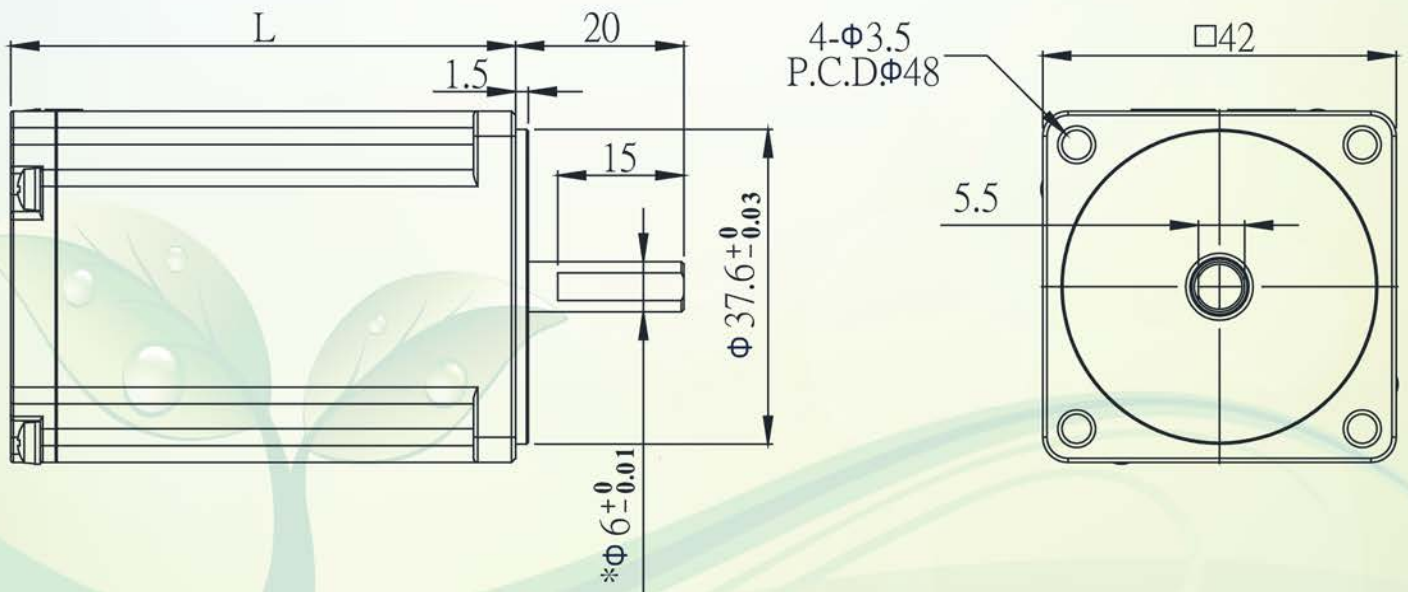
 特殊規格及其他需求請洽詢業務人員
Please contact the salesman if customer have other motor request such as motor shaft, speed or voltage.


42 Brush Less 尺寸圖



BL42 series
Outline Dimension Drawing

馬達 (Motor)	
機種(Model)	長度(Length)L
BL42S	45mm
BL42M	60mm




 特殊規格及其他需求請洽詢業務人員
 Please contact the salesman if customer
 have other motor request such as motor shaft, speed or voltage.

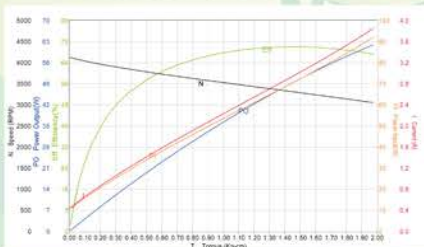
60 Brush Less 馬達之規格與特性曲線

BL60 series Specification of Motor

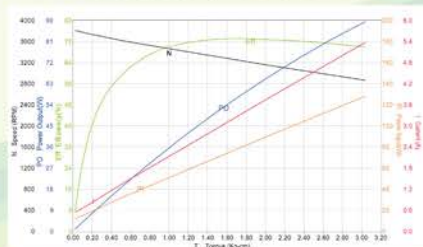
馬達型號 Motor Model				
	BL60S	BL60M	BL60L	
額定電壓 (Rated Voltage)	24VDC	24VDC	24VDC	1 Φ 110VAC \pm 10% 1 Φ 220VAC \pm 10%
額定功率 (Rated Power)	40W	80W	120W	
額定轉矩 (Rated Torque)	1.3 kg-cm	2.6 kg-cm	3.9 kg-cm	
額定電流 (Rated Current)	2.9A	5.2A	8.0A	2.8A / 1.8A
額定轉速 (Rated Speed)	3000rpm			
槽極數配合 (Slot-Pole)	8極12槽 (8P12S) / 10極12槽 (10P12S)			
防護等級 (Degree of Protection)	IP54			

馬達動力曲線圖 Motor Characteristic Curve

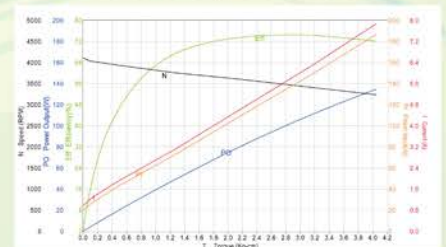
BL60S / 24VDC



BL60M / 24VDC



BL60L / 24VDC



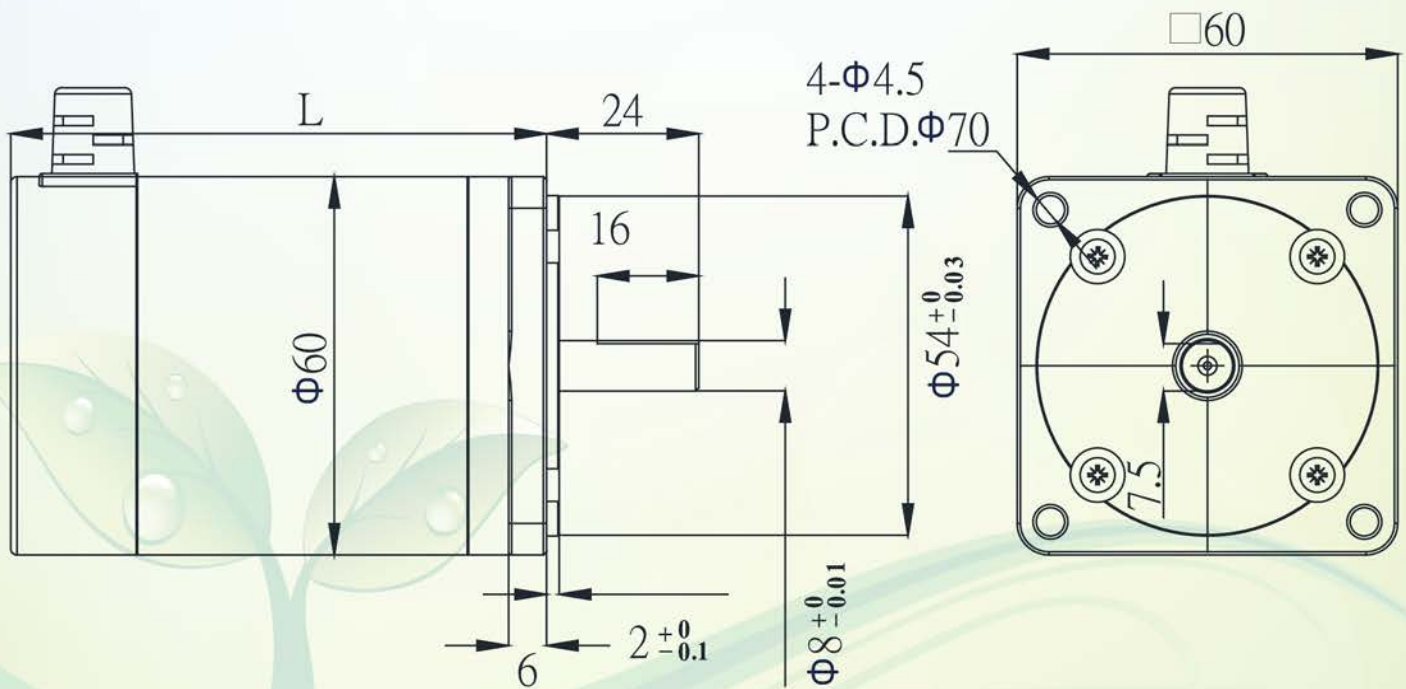
特殊規格及其他需求請洽詢業務人員
Please contact the salesman if customer
have other motor request such as motor shaft, speed or voltage.


60 Brush Less 尺寸圖



BL60 series
Outline Dimension Drawing

馬達 (Motor)	
機種(Model)	長度(Length)L
BL60S	59.5mm
BL60M	84.5mm
BL60L	109.5mm

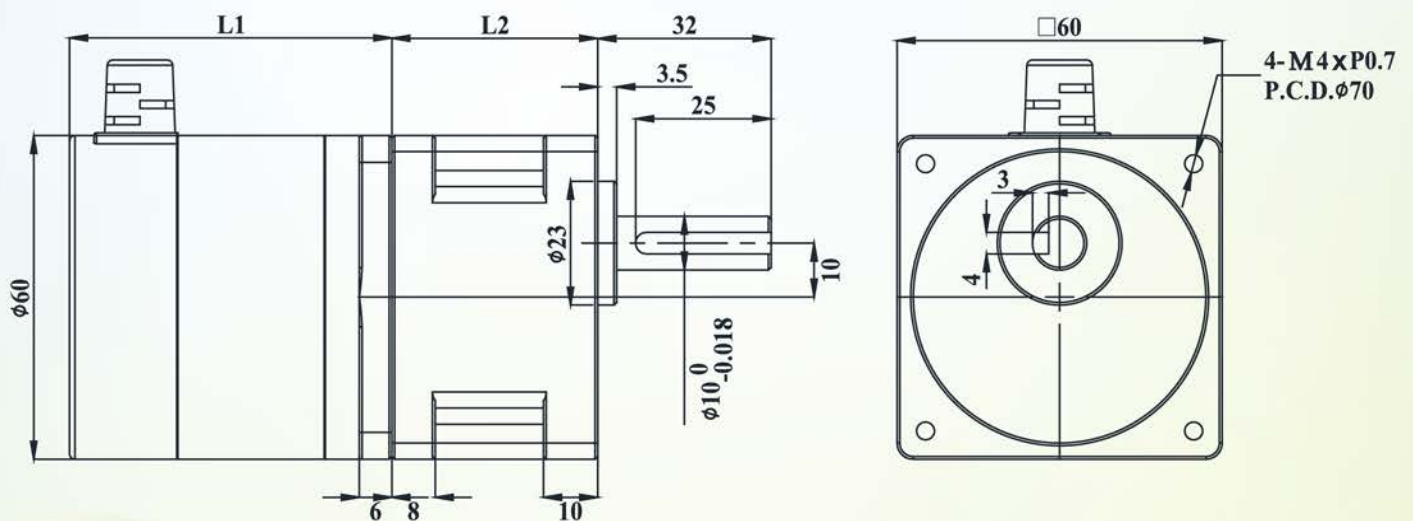



 特殊規格及其他需求請洽詢業務人員
 Please contact the salesman if customer
 have other motor request such as motor shaft, speed or voltage.

BL60 series
Gearbox 2GB Type

馬達 (Motor)	
機種(Model)	長度(Length) L1
BL60S	59.5mm
BL60M	84.5mm

減速機(Gearbox) 2GB23	
減速比(Gear Ratio)	長度(Length) L2
5 / 10 / 15	38mm
20 / 30 / 50	45.5mm
100 : 1	52.5mm



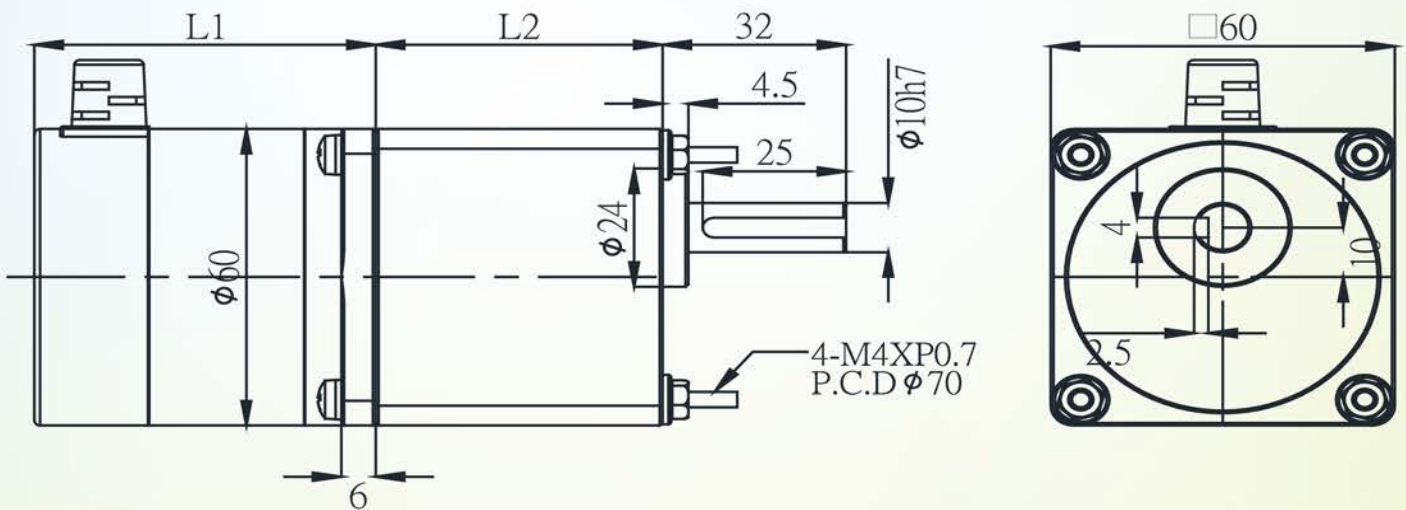
減速機規格表
Specification of Gearbox

BL60系列專用齒輪箱 2GB23							
減速比(Gear Ratio)	1 : 5	1 : 10	1 : 15	1 : 20	1 : 30	1 : 50	1 : 100
容許轉矩 N-m (kg-cm) (Permissible Torque)	3 (30)		4.5 (45)			6 (60)	
容許推力載重 N (kg) (Permissible Thrust Load)	50 (5)						
容許懸吊載重 N (kg) (Permissible Overhung Load)	100 (10)						

BL60 series Gearbox 2GU Type

馬達 (Motor)	
機種(Model)	長度(Lenght)L1
BL60S	59.5mm
BL60M	84.5mm

減速機(Gearbox) 2GU	
減速比(Gear Ratio)	長度(Length) L2
5K、10K	36mm
20K、30K	42mm
50K、75K、100K	50mm



減速機規格表 Specification of Gearbox


BL60系列專用齒輪箱 2GU							
減速比(Gear Ratio)	1 : 5	: 10	1 : 20	1 : 30	1 : 50	1 : 75	1 : 100
容許轉矩 N-m (kg-cm) (Permissible Torque)	3 (30)		4.5 (45)		6 (60)		
容許推力載重 N (kg) (Permissible Thrust Load)	50 (5)						
容許懸吊載重 N (kg) (Permissible Overhung Load)	100 (10)						

90 Brush Less 馬達之規格與特性曲線

BL90 series Specification of Motor

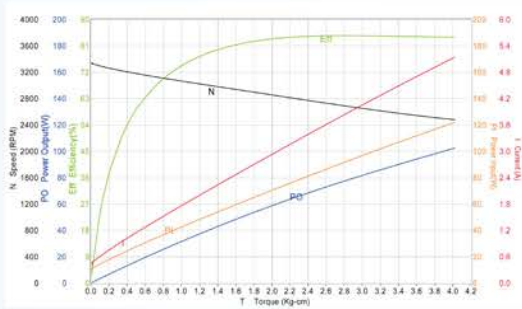
馬達型號 Motor Model						
	BL90X		BL90S		BL90N	
額定電壓 (Rated Voltage)	24VDC	1Φ110VAC±10%	24VDC	1Φ110VAC±10%	24VDC	1Φ110VAC±10%
		1Φ220VAC±10%		1Φ220VAC±10%		1Φ220VAC±10%
額定功率 (Rated Power)	75W		150W		200W	
額定轉矩 (Rated Torque)	2.4 kg-cm		5.6 kg-cm		6.4 kg-cm	
額定電流 (Rated Current)	3.6A	2.1A / 1.1A	8A	3.7A/1.9A	11A	4.7A / 2.6A
	額定轉速 (Rated Speed) 3000rpm					
槽極數配合 (Slot-Pole)	8極12槽 (8P12S)					
防護等級 (Degree of Protection)	IP54					

馬達型號 Motor Model				
	BL90M		BL90L	
額定電壓 (Rated Voltage)	24VDC	1Φ110VAC±10%	48VDC	1Φ110VAC±10%
		1Φ220VAC±10%		1Φ220VAC±10%
額定功率 (Rated Power)	350W		500W	
額定轉矩 (Rated Torque)	11.2 kg-cm		16 kg-cm	
額定電流 (Rated Current)	17.5A	6.5A / 3.5A	12A	10.5A / 4.7A
	額定轉速 (Rated Speed) 3000rpm			
槽極數配合 (Slot-Pole)	8極12槽 (8P12S)			
防護等級 (Degree of Protection)	IP54			

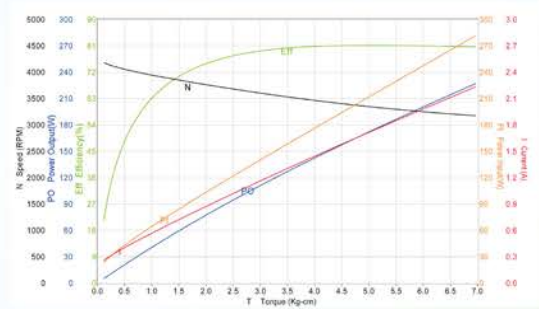
 特殊規格及其他需求請洽詢業務人員
Please contact the salesman if customer have other motor request such as motor shaft, speed or voltage.

馬達動力曲線圖 Motor Characteristic Curve

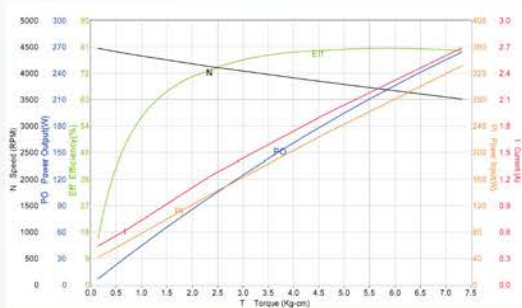
BL90X / 24VDC



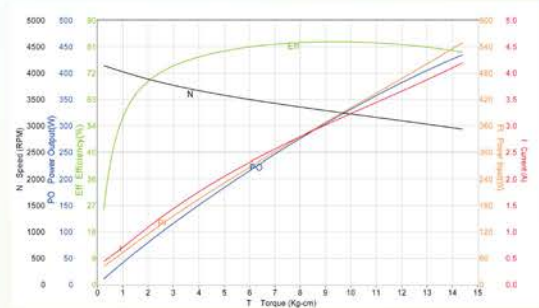
BL90S / 220VAC



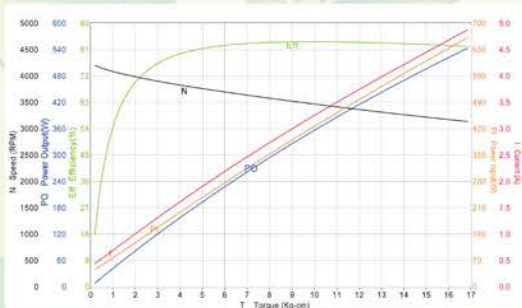
BL90N / 220VAC



BL90M / 220VAC



BL90L / 220VAC

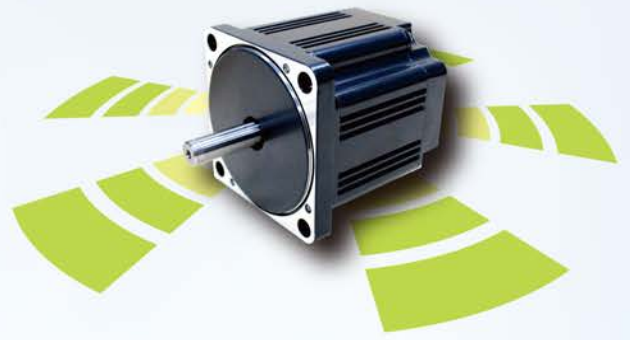


特殊規格及其他需求請洽詢業務人員

Please contact the salesman if customer

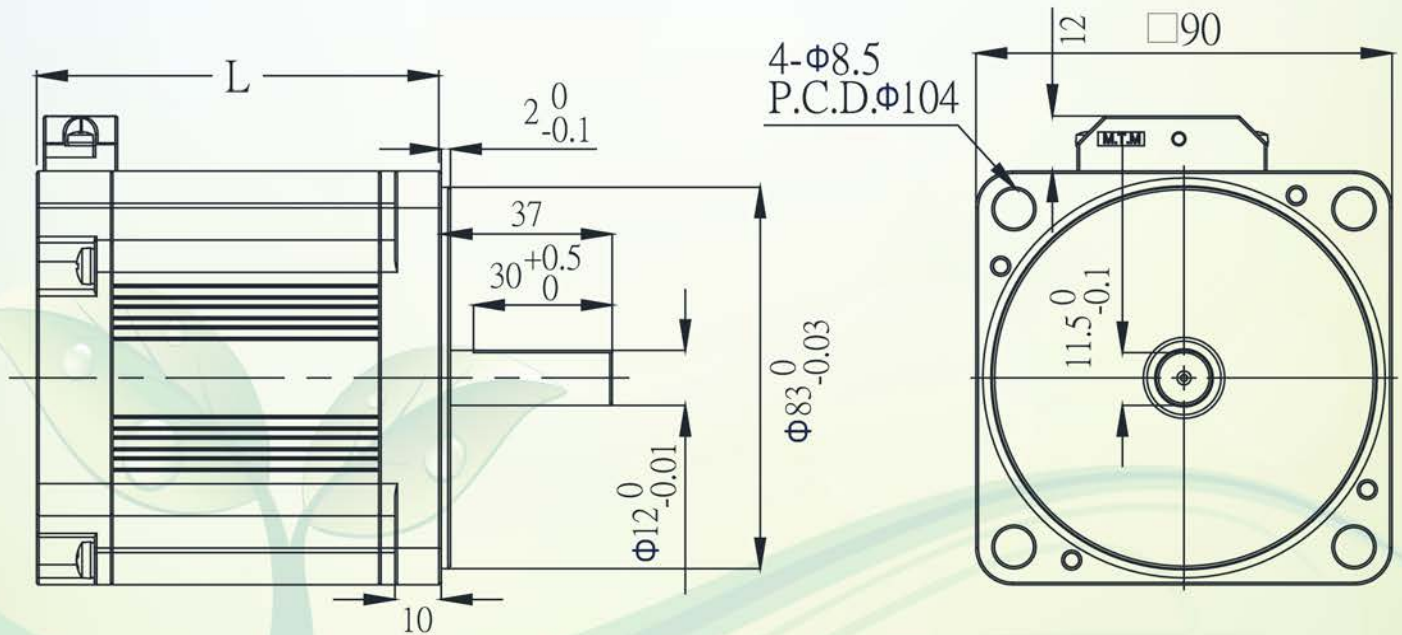
have other motor request such as motor shaft, speed or voltage.

90 Brush Less 尺寸圖



BL90 series
Outline Dimension Drawing

馬達 (Motor)	
機種(Model)	長度(Length)L
BL90X	52.5mm
BL90S	62.5mm
BL90N	72.5mm
BL90M	87.5mm
BL90L	112.5mm



特殊規格及其他需求請洽詢業務人員

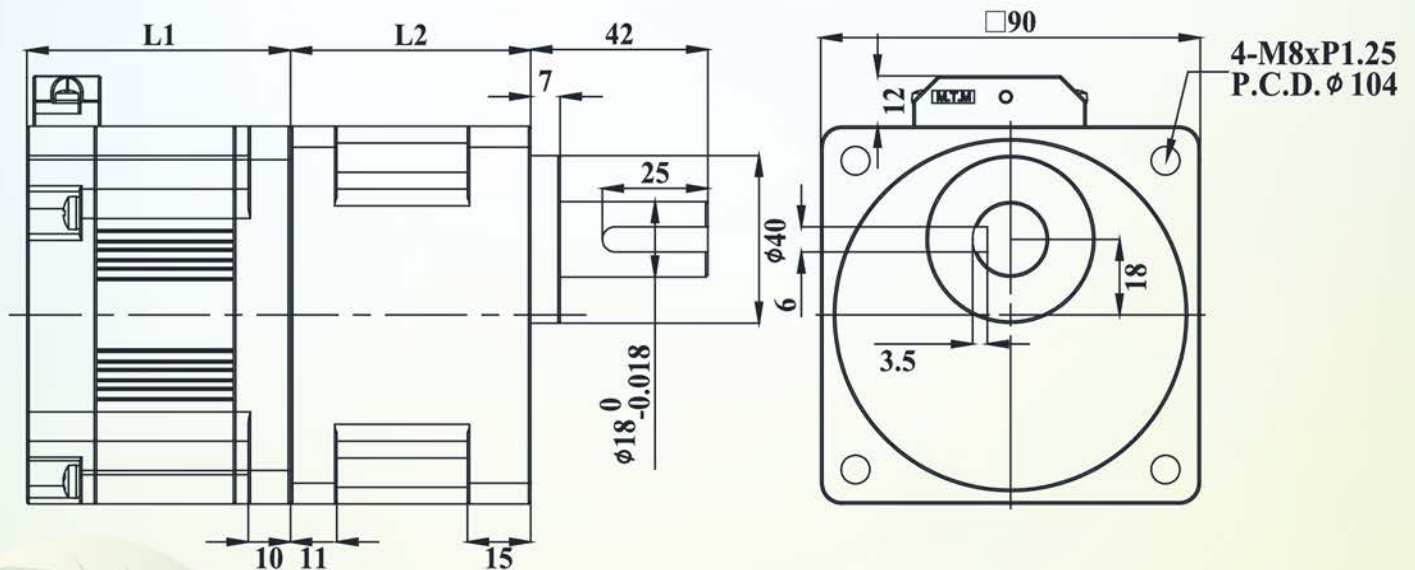
Please contact the salesman if customer

have other motor request such as motor shaft, speed or voltage.

BL90 series
Gearbox 5GB Type

馬達 (Motor)	
機種(Model)	長度(Length) L1
BL90S	62.5mm
BL90M	87.5mm

減速機(Gearbox) 5GB34	
減速比(Gear Ratio)	長度(Length) L2
5 / 10 / 15	57mm
20 / 30 / 50	69.5mm
100 : 1	80mm



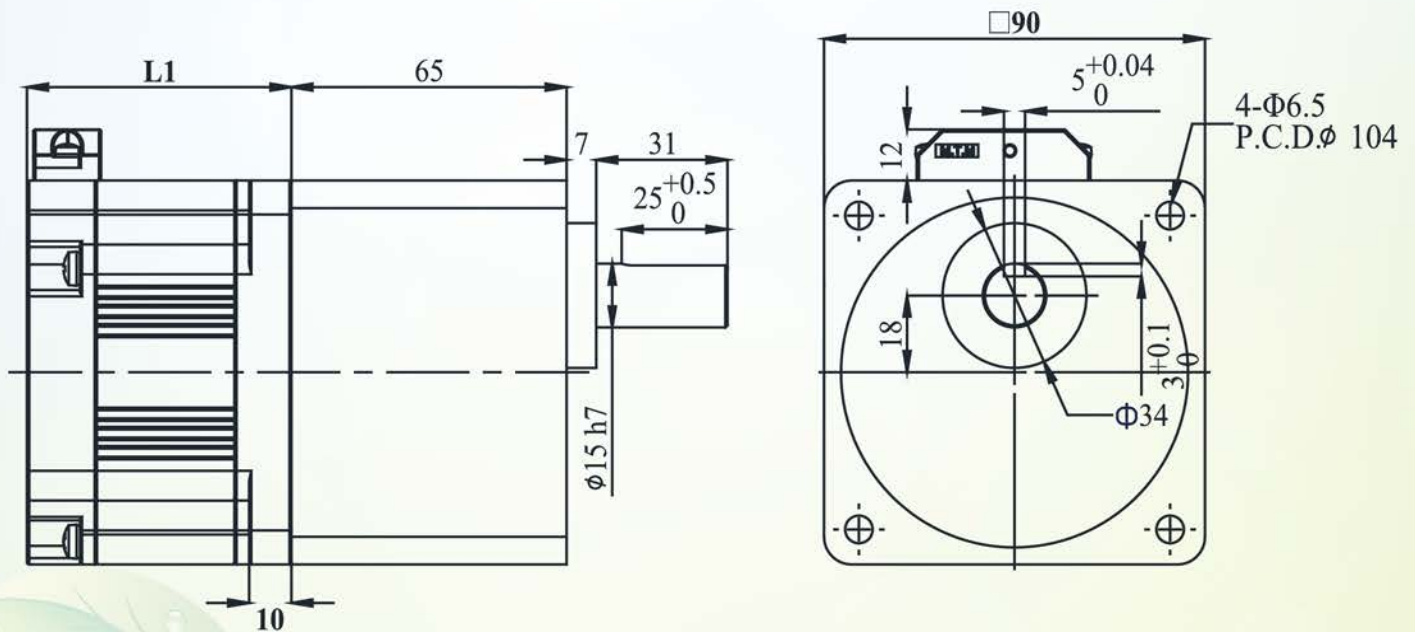
減速機規格表
Specification of Gearbox

BL90系列專用齒輪箱 5GB34							
減速比(Gear Ratio)	1 : 5	1 : 10	1 : 15	1 : 20	1 : 30	1 : 50	1 : 100
容許轉矩 N-m (kg-cm) (Permissible Torque)	15 (150)		20 (200)			35 (350)	
容許推力載重 N (kg) (Permissible Thrust Load)	100 (10)						
容許懸吊載重 N (kg) (Permissible Overhung Load)	300 (30)						

BL90 series
Gearbox 5GU Type

馬達 (Motor)	
機種(Model)	長度(Lenght) L1
BL90X	52.5mm
BL90S	62.5mm
BL90N	72.5mm

減速機(Gearbox) 5GU	
減速比(Gear Ratio)	長度(Lenght) L2
1 : 3 ~ 1 : 180	65mm



減速機規格表
Specification of Gearbox

BL90系列專用齒輪箱 5GU							
減速比(Gear Ratio)	1:5	1:10	1:15	1:20	1:25	1:30	1:40
容許轉矩N-m(kg-cm) (Permissible Torque)	3.5(35)	7(73)	10(97)	13(130)	15(150)	18(180)	20(200)
減速比(Gear Ratio)	1:50	1:75	1:90	1:100	1:120	1:150	1:180
容許轉矩N-m(kg-cm) (Permissible Torque)	20 (200)						

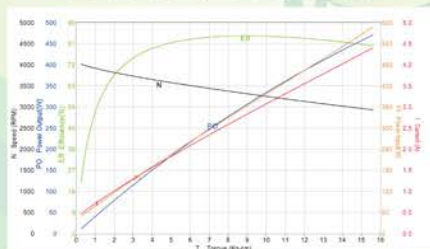
104 Brush Less 馬達之規格與特性曲線

BL104 series Specification of Motor

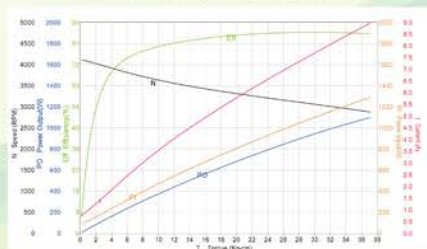
馬達型號 Motor Model						
	BLA4S		BLA4M		BLA4L	
額定電壓 (Rated Voltage)	48VDC	1Φ110VAC±10%	48VDC	1Φ110VAC±10%	48VDC	1Φ110VAC±10%
		1Φ220VAC±10%		1Φ220VAC±10%		1Φ220VAC±10%
額定功率 (Rated Power)	400W		750W		1000W	
額定轉矩 (Rated Torque)	12.7 kg-cm		23.8 kg-cm		31.8 kg-cm	
額定電流 (Rated Current)	3.7A (220VAC)		6.3A (220VAC)		8.6A (220VAC)	
額定轉速 (Rated Speed)	3000rpm					
槽極數配合 (Slot-Pole)	8極12槽 (8P12S)					
防護等級 (Degree of Protection)	IP54					

馬達動力曲線圖 Motor Characteristic Curve

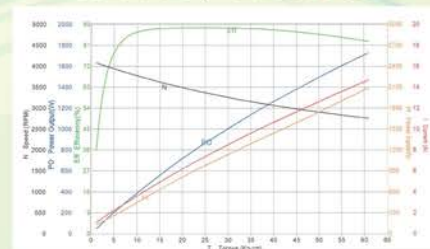
BLA4S / 220VAC



BLA4M / 220VAC



BLA4L / 220VAC



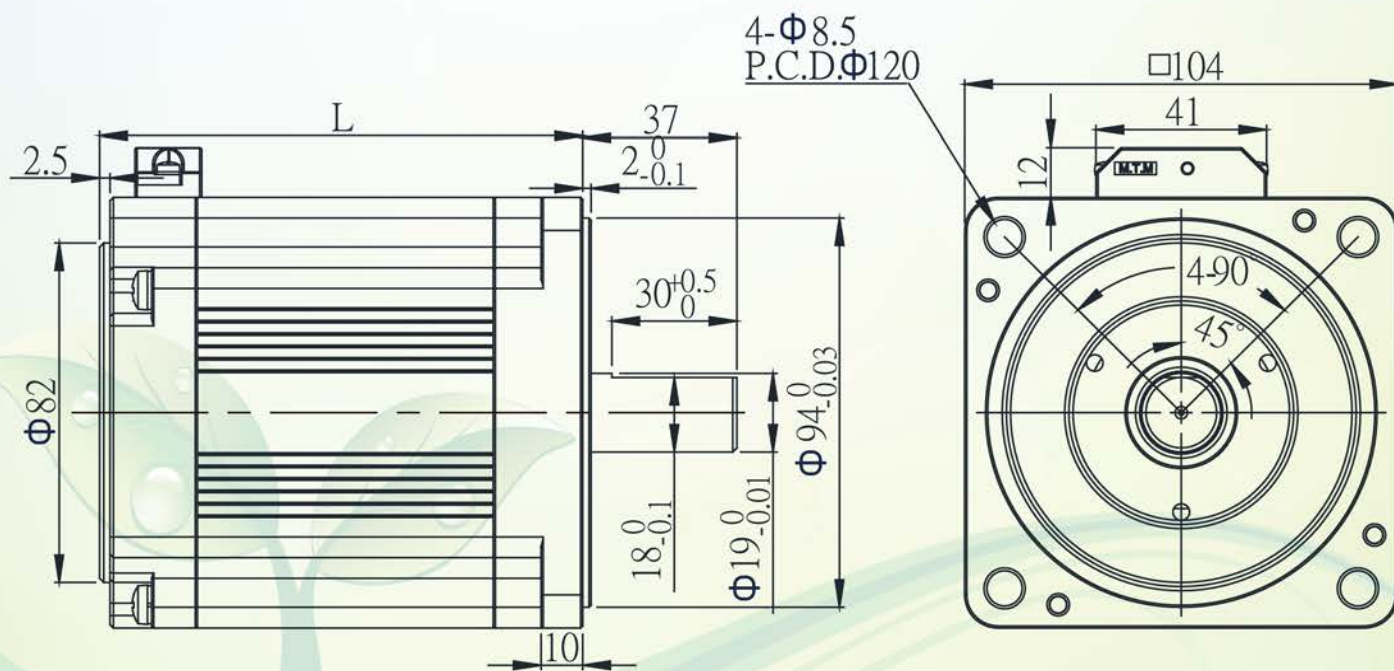
特殊規格及其他需求請洽詢業務人員
Please contact the salesman if customer
have other motor request such as motor shaft, speed or voltage.

104 Brush Less 尺寸圖






BL104 series
Outline Dimension Drawing


馬達 (Motor)	
機種(Model)	長度(Length)L
BLA4S	86mm
BLA4M	116mm
BLA4L	146mm



特殊規格及其他需求請洽詢業務人員
Please contact the salesman if customer have other motor request such as motor shaft, speed or voltage.

馬達型號 Motor Model							
		BLD0M		BLD0L		BLD0H	
額定電壓 (Rated Voltage)	48VDC	1Φ110VAC±10%	48VDC	1Φ110VAC±10%	48VDC	1Φ110VAC±10%	
		1Φ220VAC±10%		1Φ220VAC±10%		1Φ220VAC±10%	
額定功率 (Rated Power)		1000W		2000W		3000W	
額定轉矩 (Rated Torque)		32 kg-cm		64 kg-cm		96 kg-cm	
額定電流 (Rated Current)		T.B.D		T.B.D		T.B.D	
額定轉速 (Rated Speed)		3000rpm					
槽極數配合 (Slot-Pole)		8極12槽 (8P12S)					
防護等級 (Degree of Protection)		IP54					



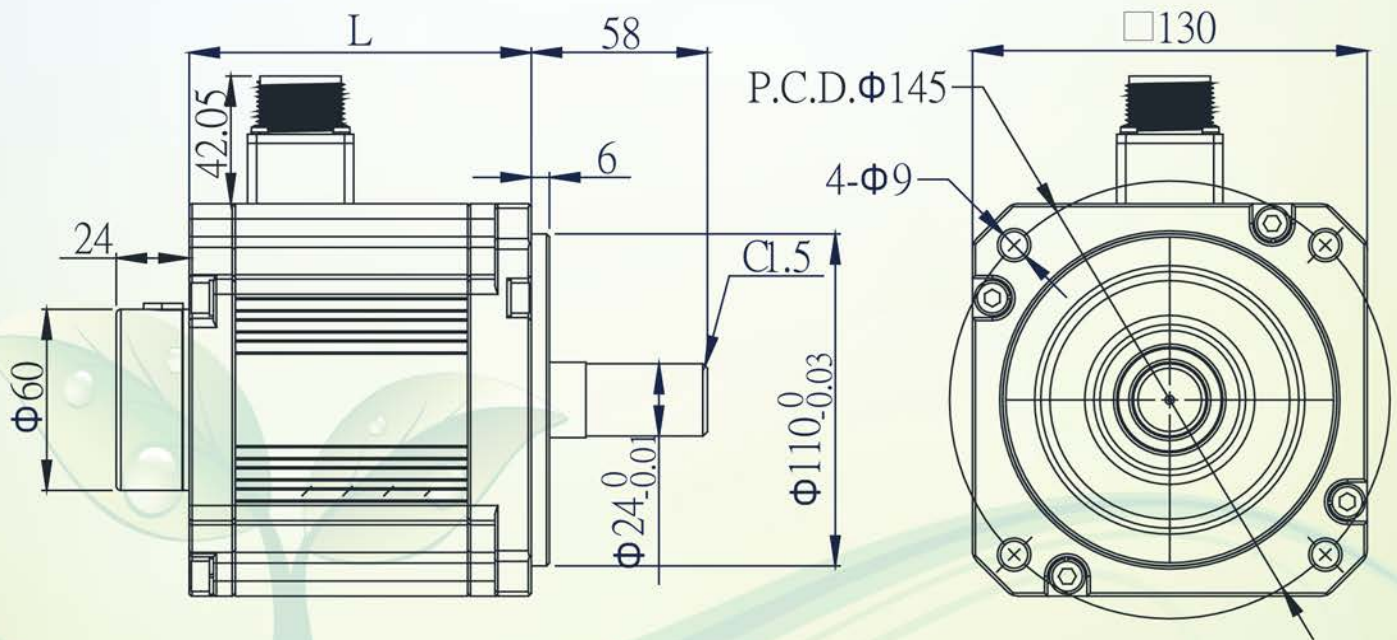
 特殊規格及其他需求請洽詢業務人員
Please contact the salesman if customer have other motor request such as motor shaft, speed or voltage.


130 Brush Less 尺寸圖






BL130 series
Outline Dimension Drawing


馬達 (Motor)	
機種(Model)	長度(Length)L
BLD0M	112.7mm
BLD0L	155.2mm
BLD0H	205.2mm




 特殊規格及其他需求請洽詢業務人員
 Please contact the salesman if customer
 have other motor request such as motor shaft, speed or voltage.

馬達型號 Motor Model						
	BLJ0S		BLJ0M		BLJ0L	
額定電壓 (Rated Voltage)	48VDC	1Φ110VAC±10%	48VDC	1Φ110VAC±10%	48VDC	1Φ110VAC±10%
		1Φ220VAC±10%		1Φ220VAC±10%		1Φ220VAC±10%
額定功率 (Rated Power)	2000W		3500W		5000W	
額定轉矩 (Rated Torque)	96 kg-cm		167 kg-cm		239 kg-cm	
額定電流 (Rated Current)	T.B.D		T.B.D		T.B.D	
額定轉速 (Rated Speed)	2000rpm					
槽極數配合 (Slot-Pole)	8極12槽 (8P12S)					
防護等級 (Degree of Protection)	IP54					



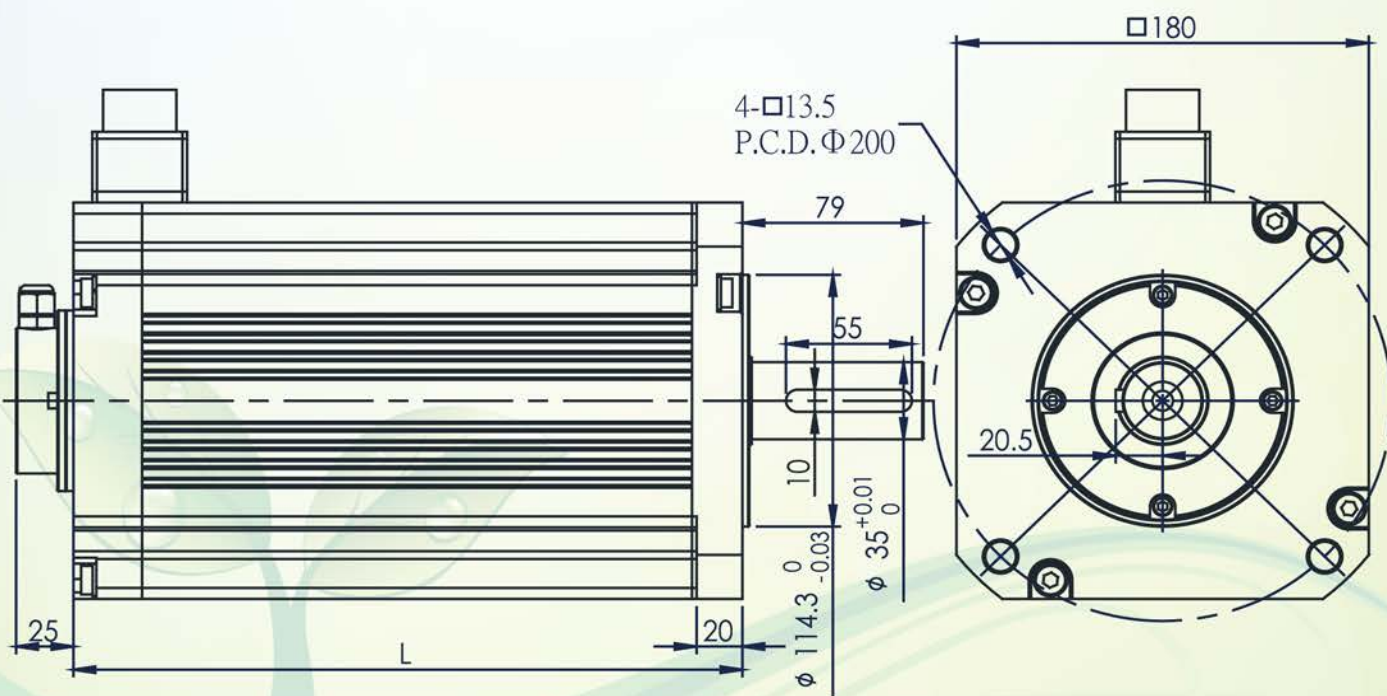
 特殊規格及其他需求請洽詢業務人員
Please contact the salesman if customer have other motor request such as motor shaft, speed or voltage.


180 Brush Less 尺寸圖



BL180 series
Outline Dimension Drawing

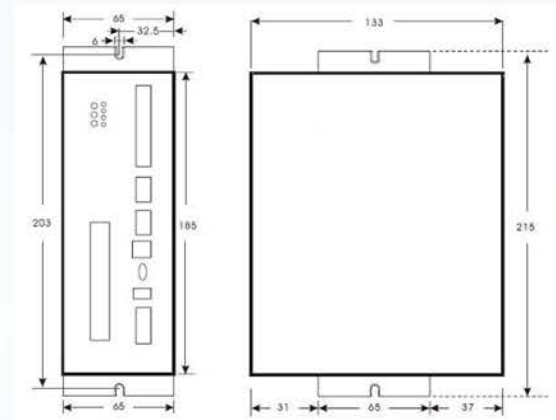
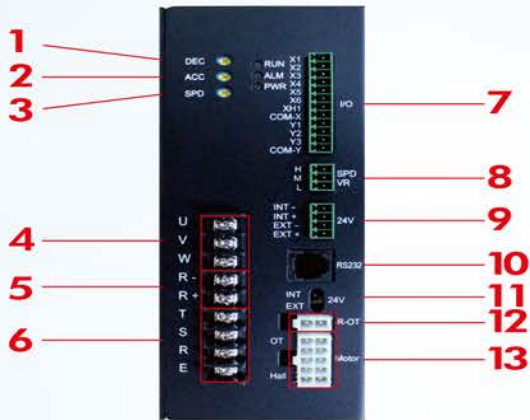
馬達 (Motor)	
機種(Model)	長度(Lenght)L
BL180S	172mm
BL180M	232mm
BL180L	292mm




 特殊規格及其他需求請洽詢業務人員
 Please contact the salesman if customer
 have other motor request such as motor shaft, speed or voltage.

入力電壓	適合機型(標準機型3000RPM)
220VAC	BL90N, BL90M, BL90L, BLA4S, BLA4M, BLA4L
110VAC	BL90S, BL90N, BL90M, BL90L, BLA4S

A04 series
110V/220 VAC Driver



編號	功能名稱	功能
1	減速時間旋鈕	0.2秒 10秒(從0 3000RPM/無負載)
2	加速時間旋鈕	0.2秒 10秒(從3000 0RPM/無負載)
3	轉速調整旋鈕	250RPM 4000RPM(出廠預設值)
4	馬達連接端子	連接馬達動力線 UVW
5	回昇電阻端子	連接回昇電阻(建議規格150Ω/100W或依負載慣量而定)
6	入力電源端子	R S T任接2點220VAC入力電源 (三相220VAC及110VAC需另外訂購)
7	輸入控制(I/O)	1.CW/STOP 2.CCW/STOP 3.BRAKE 4.內外部調速 5.STOP MODE 6. ALARM RESET (以上為出廠設定, 尚有以下功能可置換, 需經由書寫器設定) 7. START/STOP 8.CW/CCW 9. FREE 10. BRAKE&ALARM RESET 11. 多段速設定
	輸出訊號(I/O)	1.BUSY 2.PULSE 3. ALARM
8	外部VR	外部調速接點 (建議使用5KΩ/B type可變電阻)
9	DC24V電源輸入輸出	24VDC電源接腳
10	RS232通訊接頭	書寫器(選購品)輸入參數用
11	DC24V選擇開關	可選擇外部提供24VDC或內部提供
12	R-OT	回升電阻過溫度偵測端子
13	Hall sensor/OT端子	馬達Hall sensor端子及溫度開關端子
外觀尺寸		185mm*133mm*65mm不含固定腳架
連續輸入功率		400W/750W/1000W
速度變動率		±0.5%額定轉速(0 額定轉矩)
操作環境		溫度 -20°C 50°C[-4°F 122°F]
環境濕度		<85%RH(不結露)
速度控制方式		◆內部可變電阻調速 ◆外部可變電阻調速 ◆外部電壓調速 ◆外部電流調速(需原廠設定) ◆3位元(8段)速度設定(需書寫器設定) ◆外部脈波或PWM調速(需原廠設定)
保護功能		◆過電壓/低電壓輸出關閉保護 ◆過負載保護 ◆欠相保護 ◆馬達過熱保護 ◆驅動器過熱保護(出廠預設溫度為70°C)
其他功能 (需加購書寫器)		◆控制面板通訊介面 ◆輸入參數設定(加減速時間/轉速上限) ◆馬達轉速監控
保護等級		IPO0

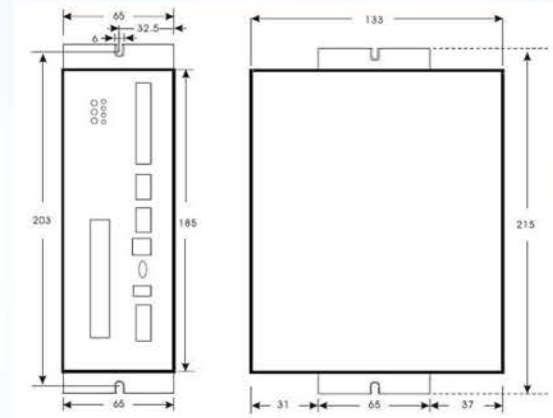
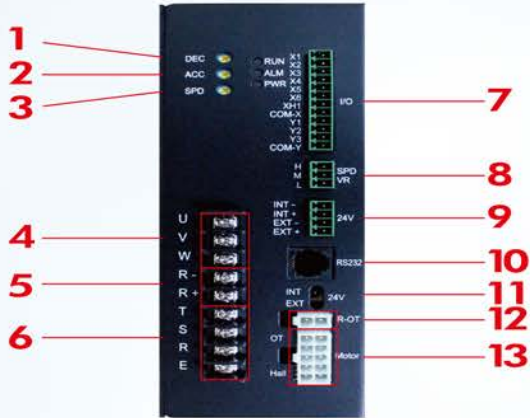
※可向原採購經銷商索取使用說明書

特殊規格及其他需求請洽詢業務人員

A04 The Function of AC Driver

POWER INPUT	Applicable models(3000RPM)
220VAC	BL90N, BL90M, BL90L, BLA4S, BLA4M, BLA4L
110VAC	BL90S, BL90N, BL90M, BL90L, BLA4S

A04 series
110V/220 VAC Driver



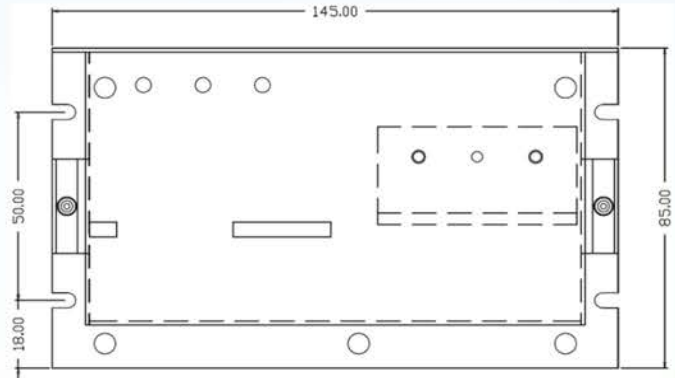
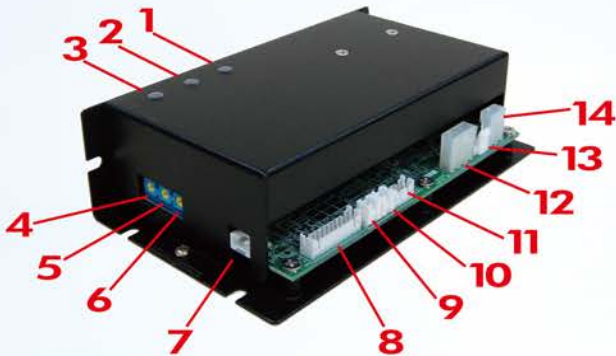
No.	Display	Function
1	Deceleration Time VR	0.2~10 Secs(From 0 to 3000RPM/No load)
2	Acceleration Time VR	0.2~10 Secs(From 3000 to 0 RPM/No load)
3	SPD VR	250RPM~4000RPM(Routing mode)
4	Motor Connector	Motor connector (UVW)
5	Regeneration Resistor	Regeneration Resistor connector(Suggestion 150Ω/*100W *depend on the load)
6	AC220V POWER INPUT	Power Input (220VAC)
7	Input control	1.CW/STOP 2.CCW/STOP 3.BRAKE 4.INT_EXT_SPD 5.STOP MODE 6. ALARM RESET (Default I/O functions setting are as above, more functions as below can be setting through Control Key Pad) 7. START/STOP 8.CW/CCW 9. FREE 10. BRAKE&ALARM RESET 11. 3 bit (Speed Setting)
	Output Signal	1.BUSY 2.PULSE 3. ALARM
8	EXT. SPEED VR	EXT. SPEED VR connector (Suggest use 5KΩ/B type VR)
9	DC24V Power	Internal DC24V out or External DC24V in terminal
10	RS232 communication port	Require Optional Control Key Pad to change input control functions
11	Int/Ext DC24V input	Int/Ext DC24V input Chosen
12	R-OT	Over temperature switch of Regeneration Resistor over
13	Hall sensor/OT	Hall sensor of Motor and Motor over temperature sensor
Dimensions		185mm*133mm*65mm
Rated Output Power of Motor		400W/750W/1000W
Speed Regulation		±0.5% (Rated speed)
Operation Temp.		-20℃~50℃ [-4℉~122℉]
Humidity of Environment		<85%RH(non-condensing)
Speed Range		200RPM~4000RPM (*Default) (*Up to 10000RPM can be customized)
Speed Setting		◆Internal VR ◆External VR ◆External DC Voltage ◆External 4mA~20mA Current ◆3 bit Digital Input ◆Pulse or PWM
Protection		◆ Low Voltage Protection ◆ Over Load Protection ◆ Over Temperature Protection
Other Function / with Panel(Accessory)		◆Require Optional Control Key Pad to change input control functions ◆Motor Speed Monitor
Degree of Protection		IP00

※User manual or customize specification, please contact distributor.

Please contact the salesman if customer have other motor request such as motor shaft, speed or voltage.

入力電壓	適合機型(標準機型3000RPM)
24VDC	BL42S, BL42M, BL60S, BL60M, BL60L, BL90X, BL90S
12VDC / 36VDC / 48VDC請洽詢銷售人員	

A09 series
24 VDC Driver



編號	功能名稱	功能
1	故障燈	ALARM LED
2	運轉燈	RUNNING LED
3	電源燈	POWER LED
4	減速時間旋鈕	0.2秒 10秒(從0 3000RPM/無負載)
5	加速時間旋鈕	0.2秒 10秒(從3000 0RPM/無負載)
6	轉速調整旋鈕	250RPM 4000RPM(出廠預設值)
7	外部VR	外部調速接點 (建議使用5K Ω 可變電阻)
8	輸入控制(I/O)	1.CW/STOP 2.CCW/STOP 3.BRAKE 4.內外部調速 5.STOP MODE 6. ALARM RESET (以上為出廠設定, 尚有以下功能可置換, 需經由書寫器設定 7. START/STOP 8.CW/CCW 9. FREE 10. BRAKE&ALARM RESET 11. 多段速設定)
	輸出訊號(I/O)	1.BUSY 2.PULSE 3. ALARM
9	控制電源輸入端子	DC24V 控制光耦用隔離電源
10	回生電阻過溫保護端子	連接回生電阻過溫保護端子
11	Hall sensor	馬達Hall sensor端子
12	馬達連接端子	連接馬達動力線 UVW
13	回生電阻接線端	連接回生電阻(建議規格4.7ohm,耐壓100V以上,功率依負載而定)
14	入力電源端子	DC24V 入力電源
外觀尺寸		145mm*85mm*40mm
連續輸入功率		100W/150W
速度變動率		1%
操作環境		溫度 -20°C 50°C(-4°F 122°F) (高於40°C請加風扇強制散熱)
環境濕度		<85%RH(不結露)
速度控制範圍		250RPM 4000RPM(出廠預設值) (客製化最高轉速為25000RPM)
調速方式		◆內部可變電阻調速 ◆外部可變電阻調速 ◆外部電壓調速(0-5V預設值) ◆外部電流調速(4 20mA預設值) ◆外部PWM調速(需先通知經銷商)
保護功能		◆ 過電壓/低電壓保護(超出10%時動作) ◆ 過負載保護 ◆ 欠相保護 ◆ 馬達過熱保護 ◆ 錯相保護
其他		可訂製無感 (Sensorless) 驅動及其他電壓版本, 請洽經銷商
保護等級		IPO0

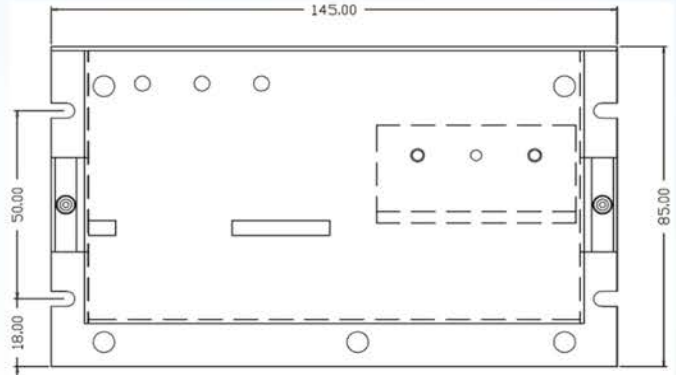
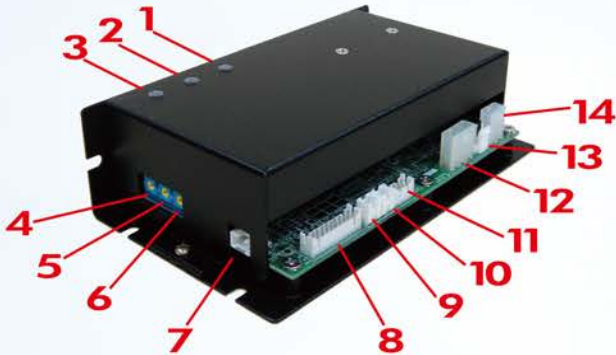
※可向原採購經銷商索取使用說明書

特殊規格及其他需求請洽詢業務人員

A09 The Function of DC Driver

POWER INPUT	Applicable models(3000RPM)
24VDC	BL42S, BL42M, BL60S, BL60M, BL60L, BL90X, BL90S
12VDC / 36VDC / 48VDC Please contact sales staff	

A09 series
24 VDC Driver



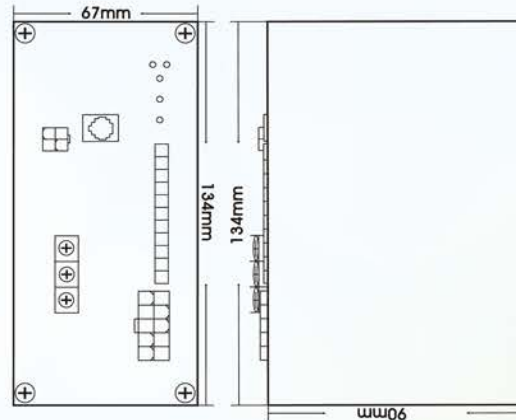
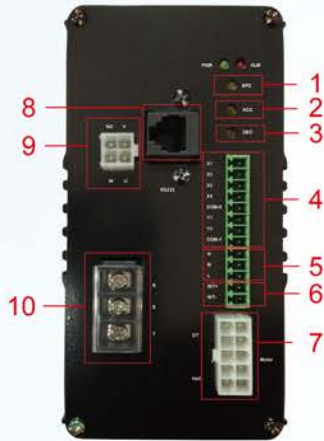
No.	Display	Function
1	ALARM LED	ALARM LED
2	RUNNING LED	RUNNING LED
3	POWER LED	POWER LED
4	Deceleration Time VR	0.2~10 Secs(From 0 to 3000RPM/No load)
5	Acceleration Time VR	0.2~10 Secs(From 3000 to 0 RPM/No load)
6	SPD VR	250RPM~4000RPM(Routing mode)
7	EXT. SPEED VR	EXT. SPEED VR connector (Suggest use 5KΩ VR)
8	Input/Output control	1.CW/STOP 2.CCW/STOP 3.BRAKE 4.INT_EXT_SPD 5.STOP MODE 6. ALARM RESET (Default I/O functions setting are as above, more functions as below can be setting through Control Key Pad) 7. START/STOP 8.CW/CCW 9. FREE 10. BRAKE&ALARM RESET 11. 3 bit (Speed Setting)
	Output Signal	1.BUSY 2.PULSE 3. ALARM
9	Control power supply input terminal	DC24V Isolation power supply for photo coupler
10	R-OT	Over temperature switch of Regeneration Resistor over
11	Hall sensor	Hall sensor of Motor
12	Motor Connector	Motor connector (UVW)
13	Regeneration Resistor	Regeneration Resistor connector(Suggestion 4.7ohm/*30W *depend on the load)
14	POWER INPUT (24VDC)	Power Input (24VDC)
Dimensions		145mm*85mm*40mm
Rated Output Power of Motor		100W/150W
Speed Regulation		1%
Operation Temp.		-20°C~50°C[-4°F~122°F]
Humidity of Environment		<85%RH(non-condensing)
Speed Range		250RPM~4000RPM (*Default) (*Up to 25000RPM can be customized)
Speed Setting		◆Internal VR ◆External VR ◆External DC Voltage ◆External DC 4mA~20mA Current ◆PWM(can be customized)
Protection		◆Low Voltage Protection ◆Over Load Protection ◆Over Temperature Protection ◆Out of Phase Protection ◆Missing Phase Protection
Other Function		Sensorless Version can be customized
Degree of Protection		IP00

※ User manual or customize specification, please contact distributor.

Please contact the salesman if customer have other motor request such as motor shaft, speed or voltage.

入力電壓	適合機型(標準機型3000RPM)
220VAC	BL60L, BL90X, BL90S, BL90N
110VAC	BL60M, BL60L, BL90X

B06 series
110V/220 VAC Driver



編號	功能名稱	功能
1	轉速調整旋鈕	250RPM~4000RPM(出廠預設值)(轉速上限可依需求客製)
2	緩加速調整旋鈕	最大約10秒
3	緩減速調整旋鈕	最大約10秒
4	輸入控制(I/O)	1.START/STOP 2.BRAKE-A.RESET 3.CW/CCW 4.內外部調速選擇 (以上為出廠設定, 尚有以下功能可置換, 需經由書寫器設定) 5.STOP MODE 6. ALARM RESET 7. CW/STOP 8.CCW/STOP 9. FREE 10. 多段速設定
	輸出訊號(I/O)	1.PULSE 3. ALARM
5	外部VR	外部調速接點 (建議使用5KΩ/B type可變電阻)
6	內部DC15V輸出	內部15VDC接腳, 供隔離光耦電源使用
7	Hall sensor/OT端子	馬達Hall sensor端子及溫度開關端子
8	RS232通訊接頭	書寫器(選購品)輸入參數用
9	馬達連接端子	連接馬達動力線 UVW
10	入力電源端子	R S T任接2點220VAC入力電源 (三相220VAC及110VAC需另外訂購)
外觀尺寸		134mm*90mm*67mm不含固定腳架
連續輸入功率		100W/200W(110V/220VAC)
速度變動率		±0.5%額定轉速(0~額定轉矩)
操作環境		溫度 -20°C~50°C[-4°F~122°F])
環境濕度		<85%RH(不結露)
速度控制方式		◆ 內部可變電阻調速 ◆ 外部可變電阻調速 ◆ 外部電壓調速 ◆ 3位元(8段)速度設定(需書寫器設定)
保護功能		◆ 過電壓/低電壓輸出關閉保護 ◆ 過負載保護 ◆ 欠相保護 ◆ 馬達過熱保護 ◆ 驅動器過熱保護(出廠預設溫度為70°C)
其他功能 (需加購書寫器)		◆ 控制面板通訊介面 ◆ 輸入參數設定(加減速時間/轉速上限) ◆ 馬達轉速監控
保護等級		IP00

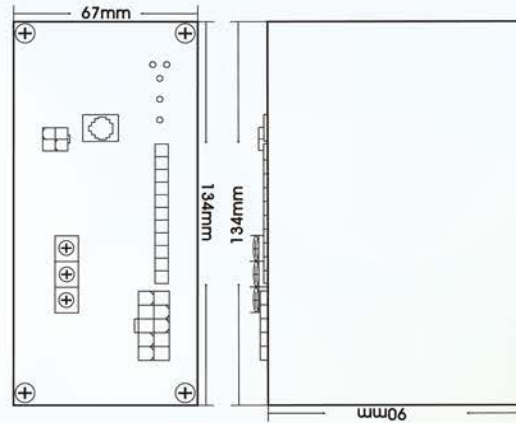
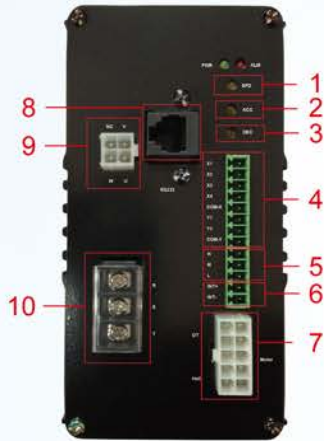
※可向原採購經銷商索取使用說明書



特殊規格及其他需求請洽詢業務人員

POWER INPUT	Applicable models(3000RPM)
220VAC	BL60L, BL90X, BL90S, BL90N
110VAC	BL60M, BL60L, BL90X

B06 series
110V/220 VAC Driver



No.	Display	Function
1	SPD VR	250RPM~4000RPM(Routing mode) (*Up to 10000RPM can be customized)
2	Acceleration Time VR	Max about 10 secs
3	Deceleration Time VR	Max about 10 secs
4	Input control	1.START/STOP 2.BRAKE-A.RESET 3.CW/CCW 4.INT_EXT_SPD (Default I/O functions setting are as above, more functions as below can be setting through Control Key Pad 5.STOP MODE 6. ALARM RESET 7. CW/STOP 8.CCW/STOP 9. FREE 10. 3 bit Speed Setting)
	Output Signal	1.PULSE 2. ALARM
5	EXT. SPEED VR	EXT. SPEED VR connector (Suggest use 5KΩ/B type VR)
6	Internal DC15V	Internal DC15V output supply to shielded photo coupler
7	Hall sensor& OT	Hall sensor of Motor and Motor over temperature sensor
8	RS232 communication port	Require Optional Control Key Pad to change input control functions
9	Motor Connector	Motor connector (UVW)
10	AC220V POWER INPUT	Power Input (110V/220VAC)
Dimensions		134mm*90mm*67mm
Rated Output Power of Motor		100W/200W(110V/220VAC)
Speed Regulation		±0.5% (Rated speed)
Operation Temp.		-20℃~50℃[-4°F~122°F])
Humidity of Environment		<85%RH(non-condensing)
Speed Setting		◆ Internal VR ◆ External VR ◆ External DC Voltage ◆ 3 bit Digital Input
Protection		◆ Low Voltage Protection ◆ Over Load Protection ◆ Over Temperature Protection ◆ Out of Phase Protection ◆ Missing Phase Protection
Other Function / with Panel(Accessory)		◆ Require Optional Control Key Pad to change input control functions ◆ Motor Speed Monitor
Degree of Protection		IP00

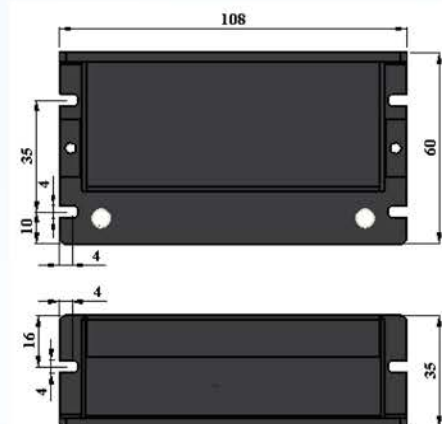
※User manual or customize specification, please contact distributor.



Please contact the salesman if customer have other motor request such as motor shaft, speed or voltage.

入力電壓	適合機型(標準機型3000RPM)
24VDC	BL42S, BL42M, BL60S, BL60M, BL90X
12VDC請洽詢銷售人員	

V16 series
24 VDC Driver



編號	功能名稱	功能
1	電源指示燈	輸入電源,指示燈會亮
2	DC電源入力	電源電壓輸入接點(DC12~35V)
3	馬達連接器	馬達與驅動器的連接
4	異常指示燈	過負荷、過壓/低壓、過熱、欠相等保護作動時；或馬達輸出致能關閉(自由停止)·異常指示燈會亮
5	輸入/輸出訊號	◆正/反轉 ◆煞車/運轉 ◆輸出致能關閉(自由停止)◆復歸 ◆警告輸出 ◆轉速輸出
6	外部調速	0~3000rpm或0~4000rpm(訂製品) (可變電阻20kΩ,B Type 或直流電壓0~5V)
7	內部調速	0~3000rpm或0~4000rpm(訂製品)
8	加速時間	0.5~15秒
9	減速時間	0.5~15秒
10	速度設定選擇	內部/外部速度設定選擇
11	馬達溫度開關	馬達過熱保護
12	面板通訊接點	與面板(選配)做通訊連接

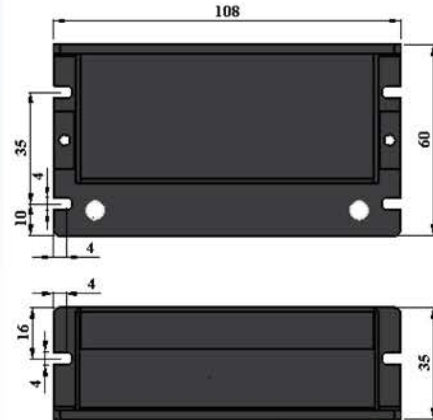
速度變動率	對負載	±1%額定轉速(0~額定轉矩)
	對電壓	±1%額定轉速(於無載下,輸入電壓±10%)
	對溫度	±1%額定轉速(於無載下,溫度0°C~50°C[32°F~122°F])
速度控制範圍	100~4000RPM	
速度控制方式	◆ 內部可變電阻調速 ◆ 外部可變電阻調速 ◆ 外部電壓調速	
保護功能	◆ 過電壓/低電壓輸出關閉保護 ◆ 過負載保護 ◆ 欠相保護 ◆ 馬達過熱保護 ◆ 驅動器過熱保護(出廠預設溫度為70°C)	
其他功能(需加購面板)	◆ 控制面板通訊介面 ◆ 驅動器電壓監控 ◆ 驅動器即時溫度監控 ◆ 馬達轉速監控	
保護等級	IP00	

特殊規格及其他需求請洽詢業務人員

V16 The Function of DC Driver

POWER INPUT	Applicable models(3000RPM)
24VDC	BL42S, BL42M, BL60S, BL60M, BL90X
12VDC Please contact sales staff	

V16 series
24 VDC Driver

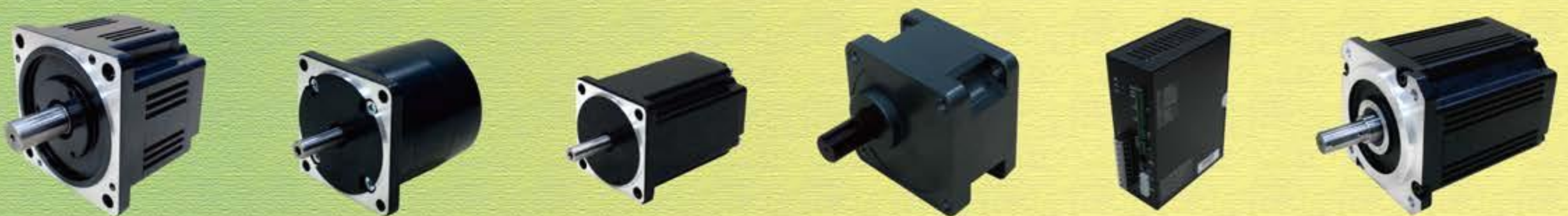


No.	Display	Function
1	Power LED	Power Input Indication
2	DC Power Connection Terminal	DC Power Supply Input(10~35VDC)
3	Motor Connector	Connect with motor
4	Alarm LED	Alarm Output Indication (Overload 、 Overvoltage 、 Low Voltage 、 Overheat 、 Out of phase) or Output Disable (Free Stop)
5	Input/Output Signal	◆CW/CCW ◆Brake/Run ◆Output Disable (Free Stop) ◆Reset ◆Alarm output ◆Speed output
6	External Potentiometer	0~3000rpm or 0~4000rpm (Optional) (VR 20kΩ,B Type or DC Voltage 0~5V)
7	Internal Potentiometer	0~3000rpm or 0~4000rpm(Optional)
8	Deceleration Time Potentiometer	0.5~15 sec.
9	Acceleration Time Potentiometer	0.5~15 sec.
10	Speed Setting	Choice of Internal/External Potentiometer
11	Motor Temp. Switch	Connect with motor temp sensor
12	Panel Communication Connector	Communication with panel(Optional)

Speed Regulation	(vs Load)	(±1% Rated Speed at 0~rated torque)
	(vs Voltage)	(±1% Rated Speed at ±10% Voltage , with no load)
	(vs Temp.)	(±1% Rated Speed at 0°C~50°C[32°F~122°F] , with no load)
Speed Control Range	100~4000RPM	
Speed Control Method	◆ (control by the internal potentiometer) ◆ (control by the external potentiometer : 20kΩ , B type) ◆(control by external DC voltage : 0~5V)	
Protection Functions	◆ (Over-Voltage/Low-Voltage Protection) ◆ (Overload Protection) ◆ (Out of Phase Protection) ◆ (Over-Heat Protection of Motor) ◆ (Over-Heat Protection of Driver , Default Temp. is 70°C)	
Other Functions / with Panel (Accessory)	◆ Communication Panel(Accessory) ◆ Driver Voltage Monitor ◆ Driver Temp. Monitor ◆ Motor Speed Monitor	
Degree of Protection	IP00	



Please contact the salesman if customer have other motor request such as motor shaft, speed or voltage.



Professional DC brush and brushless motor manufacturing, design
and manufacture of various types of transmission system
The best quality, High efficiency, The best service



金永機電有限公司

KIM-YONG MECHATRONIC CO.



營業項目：步進、伺服、無刷行星式減速機
AC永磁、感應、高速伺服馬達
臺製、進口高性能變頻器
微中小型齒輪、渦輪減速機
交直流無刷馬達與減速機
空油壓零件與系統整合元件
空油壓恆壓系統整合

地址：台中市太平區德安街85巷6號
電話：(04)2271-1388
傳真：(04)2271-1387
http://www.bldcmotor.com.tw
E-mail: ky22656712@gmail.com

經銷商